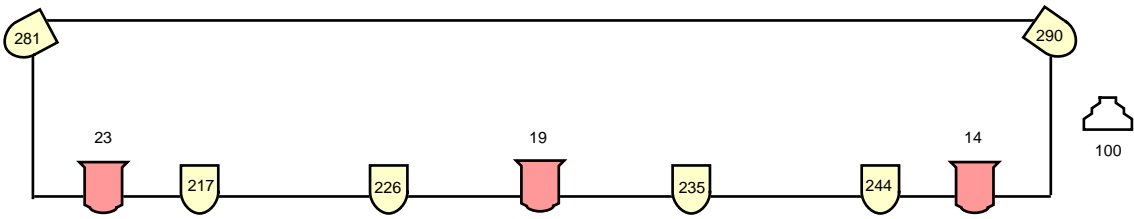
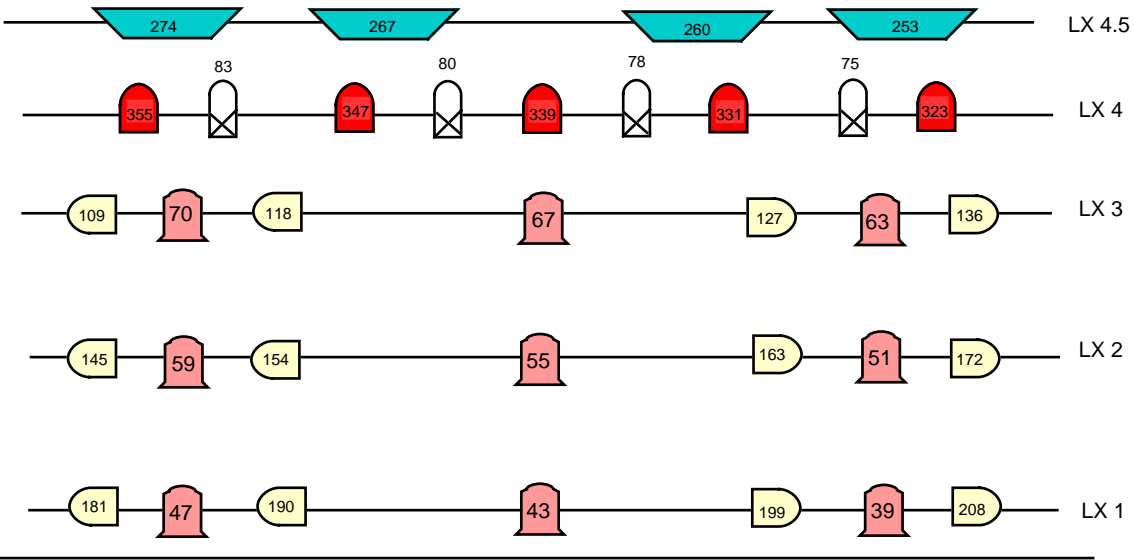
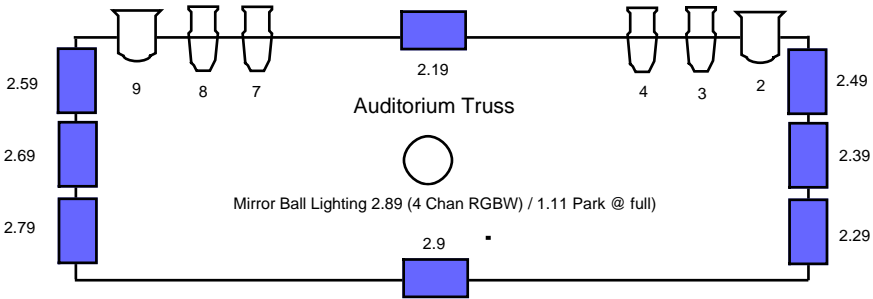


Lowther Pavilion Standard Lighting Rig



| | | | |
|--------------------------------|---------------------------------|--|--|
| | Source 4 35 Degree | | Batmink Visage VIS0492.2 LED Parcan (9 Chan) |
| | ADB 1Kw Fres | | Batmink Visage VIS048 LED Parcan (8 Chan) |
| | 2 Cell Mole | | Batmink Visage VIS054 LED Battern (7 Chan) |
| | Coemar Striplite RGBW (10 Chan) | | |
| Unique Hazer - (2 Chan) DMX 97 | | Showled Chameleon Starcloth (24 Chan Mode) DMX 299 | |

Universe 2 -
 1 - M Ball Motor
 2/3/4 - House Lights
 5/6/7/8 - RGBW LED Strip



Batmink Visage VIS0492.2 LED Parcan (9 Chan) R / G / B / W / A / UV / DIM / SHUTTER / COL MACRO

Batmink Visage VIS048 LED Parcan (8 Chan) R / G / B / W / A / DIM / SHUTTER / COL MACRO

Batmink Visage VIS054 LED Battern (7 Chan) COL MACRO / DIM / SHUTTER / R / G / B / W